



90° Deflection - 48 cm (19 V) Precision In-Line Color Picture Tube Assembly

- Yoke and Neck Components Presetted for Northern Hemisphere**
- Coty Funnel - Mini Yoke**
- Excellent Convergence Performance**
- Neck Diameter 29 mm**
- Better Focus Uniformity - XL Bipotential Precision In - Line Gun**
- Saddle Toroidal Yoke - High Deflection Sensitivity - Low Power Consumption**
- Pincushion Distortion Free - Pincushion Correction Circuitry Not Required**
- Sunshine High Brightness Screen - Increased Light Output**
- Pigmented Phosphor - Enhanced Color and Contrast**
- Matrix Contoured - Line Screen - Smooth Curved Phosphor Lines at Sides of Screen - Ragged Stair - Step Edge Eliminated**
- Other Features:**
 - **Super Arch Mask - Minimizes Thermal Expansion Effects**
 - **Tinted Phosphor**
 - **Super Arch Mask**
 - **Soft Arc Technology**
 - **Integral Mounting Lugs**

The A48EAX33X01 is a 90° Color Picture Tube Assembly of the Coty family which incorporates an improved high resolution precision in-line electron gun and a superior pincushion distortion free saddle-toroidal yoke having high deflection sensitivity.

The A48EAX33X01 also incorporates a Super Arch Mask to maintain color purity, a Sunshine high-brightness screen coupled with pigmented phosphors for contrast improvement, and a contoured-line screen which produces a smooth screen edge appearance.

The high-focus-voltage bipotential gun provides the enhanced resolution required for teletext and view data transmittal systems coming into use in Europe. The gun incorporates a larger lens diameter which produces a smaller spot size resulting in sharper pictures.

The high efficiency saddle - toroidal yoke system in combination with the horizontal in-line electron gun provides the precision arrangement required to achieve inherent self- convergence.

The yoke and other neck components are preassembled on the tube and factory preset for optimum performance. There are no customer adjustments. The A48EAX33X01 tube assembly can be installed in the receiver by the manufacturer or field serviceman without making any convergence or purity adjustments-saving installation and adjustment costs.

The integral tube - components construction provides reliable and stable convergence, purity and white uniformity performance throughout tube life.

Electrical Data

Heater:	
Voltage	6.3 V
Current	700 mA
Focusing Method	Electrostatic
Focus Lens	Bipotential
Convergence Method	Magnetic
Deflection Angles (approx.):	
Diagonal	90 deg
Horizontal	78 deg
Vertical	60 deg
Direct Interelectrode Capacitance (approx.):	
Grid No. 1 to all other electrodes	11.0 pF
Grid No. 3 to all other electrodes	5.0 pF
Red cathode to all other electrodes	6.5 pF
Blue or Green cathode to all other electrodes	5.7 pF
All cathodes to all other electrodes	14.0 pF
Capacitance Between Anode and External Conductive Coating (including metal hardware)	
	2000 pF max. 1500 pF min.
Resistance Between Metal Hardware and External Conductive Coating	
	50 M Ω min.
Magnetic Shield	
	Internal

Optical Data

Faceplate:	
Light transmittance at center (approx.)	52 %
Surface	Polished
Screen:	
Matrix	Black Opaque Material
Type	Negative Guard Band
Phosphor, rare - earth (red), sulfide (blue & green)	
Type	Type X
Type	Selectively Absorbent
Persistence	Medium Short
Array	Vertical Line Trios
Spacing between corresponding points on line trios at center (approx.)	
	0.82 mm

Mechanical Data

Tube dimensions:	
Overall length	432.08 \pm 6.4 mm
Reference Line to center of face	288.39 \pm 4.8 mm
Neck length	143.69 mm
O.D. at tension band:	
Diagonal	523.40 mm max.
Horizontal	445.00 mm max.
Vertical	351.40 mm max.
Minimum screen dimensions (projected):	
Diagonal	482.38 mm
Horizontal	404.32 mm
Vertical	304.02 mm
Area	1194 cm ²

Bulb Funnel Designation	EIA No. JF510
Bulb Panel Designation	EIA No. F513A
Anode Bulb Contact Designation	EIA No. J121
Base and Pin Connection Designation	EIA No. B10-277
Pin Position Alignment	Space Separating Pins 9 and 10 Aligns approx. with Anode Bulb Contact
Operating Position, Preferred	Anode Bulb Contact on Top
Weight (approx.)	12.9 kg

Implosion Protection

Type	Free Band
------	-----------

Maximum and Minimum Ratings, Absolute-Maximum Values

Absolute-Maximum Ratings are specified for reliability and performance purposes. X-radiation characteristics should also be taken into consideration in the application of this tube type.

Unless otherwise specified, voltage values are positive with respect to grid No. 1.

Anode Voltage	27.5 kV max. 20.0 kV min.
Anode Current Long-Term Average	1000 μ A max.
Grid No. 3 and 5 (focusing electrode) Voltage	12 kV max.
Peak Grid No. 2 Voltage	1500 V max.
Cathode Voltage:	
Positive bias value	400 V max.
Positive operating cutoff value	200 V max.
Negative bias value	0 V max.
Negative peak value	2 V max.
Heater Voltage:	
AC (rms) or DC value	
Maximum value	6.9 V
Minimum value	5.7 V
Peak pulse value	50 V max.
Surge value, during 15-second warm-up period (rms)	9.5 V max.
Heater Cathode Voltage:	
Heater negative with respect to cathode:	
During equipment warm-up period not exceeding 15 seconds	
	450 V max.
After equipment warm - up period:	
DC component value	200 V max.
Peak value	300 V max.
Heater positive with respect to cathode:	
DC component value	100 V max.
Peak value	200 V max.

Typical Design Values (for Anode Voltage of 25.0 kV)

Unless otherwise specified, voltage values are positive with respect to grid No. 1.

Grid No. 3 (focusing electrode) voltage	22 to 26 % of Anode Voltage
---	--------------------------------

Grid No. 2 Voltage for Visual Extinction of Undelected Focused Spot	See CUT OFF DESIGN CHART in Fig. 4
---	------------------------------------

At cathode voltage of 100 V	270 to 535 V
At cathode voltage of 150 V	420 to 820 V
At cathode voltage of 200 V	570 to 1105 V

Maximum Ratio of Cathode Cutoff Voltages, Highest Gun to Lowest Gun (with grid No. 2 of gun having highest cathode voltage adjusted to give 150 V spot cutoff) 1.25

Heater Voltage 6.3 V

Grid No. 3 Current $\pm 3 \mu\text{A}$

Grid No. 2 Current $\pm 3 \mu\text{A}$

Grid No. 1 Current $\pm 3 \mu\text{A}$

To Produce White Light of 9300 K \pm 27 M.P.C.D.

CIE coordinates:

X 0.281

Y 0.311

Percentage of total anode current supplied by each beam (average):

Red 36.4 %

Blue 31.2 %

Green 32.4 %

Ratio of cathode currents:

Red/Blue:

Minimum 1.00

Typical 1.25

Maximum 1.50

Red/Green:

Minimum 0.75

Typical 1.00

Maximum 1.25

Blue/Green:

Minimum 0.60

Typical 0.80

Maximum 1.00

Raster Centering Displacement Measured at Center of Screen

Horizontal 0.0 ± 4.0 mm

Vertical 0.0 ± 4.0 mm

Deflection Yoke Data

TOP OF YOKE

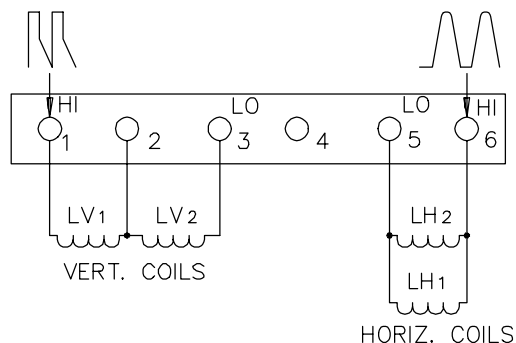


Fig. 1 Connection Diagram for Yoke (As viewed from rear of yoke)

Deflection Yoke Data (at 25.0 kV)

L_H $2.30 \pm 5 \%$ mH

R_H $3.48 \pm 10 \%$ Ω

$I_{H\ p-p}$ 2.37 A

L_V $24.6 \pm 10 \%$ mH

R_V $15.0 \pm 10 \%$ Ω

$I_{V\ p-p}$ 0.884 A

Pincushion

E/W Free

N/S Free

X-Radiation Characteristics

Operating within the absolute maximum rating, these color picture tubes do not emit X-Radiation above 0.1 mR/h, satisfying the international accepted dosage rate of 0.5 mR/h (at 5 cm from the cabinet) and the new German regulation (1 μ Sv/h at 10 cm from the glass).

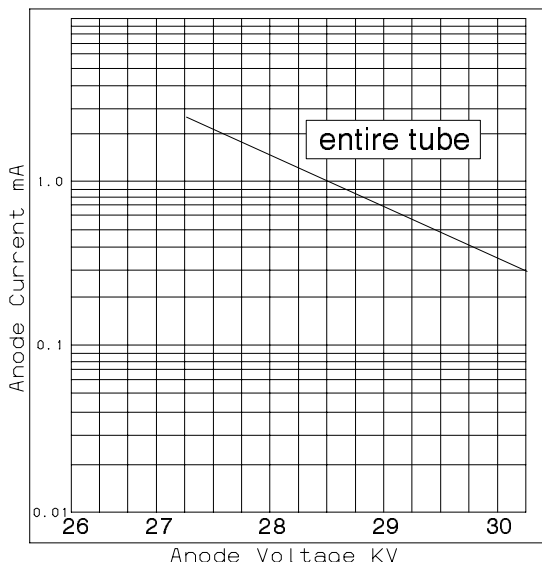


Fig. 2 0.1 mR/h Isoexposure - Rate Limit Curves

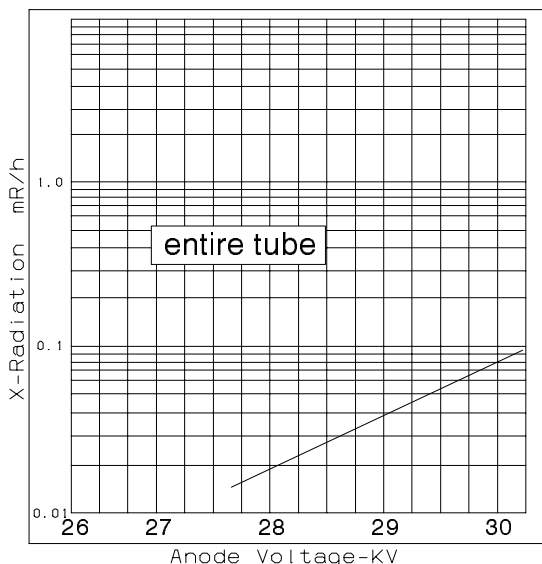


Fig. 3 X-Radiation Limit Curves at a Constant Anode Current of 300 μ A (X-radiation at a constant anode voltage varies linearly with anode current)

NOTES:

1. The X phosphor designation in the WTDS is equivalent to P22 in EIA type designation system.
2. For mating socket considerations, see Note 1 under Notes for Dimensional Outline.
3. For maximum tube life, the heater supply voltage should be regulated to minimize heater voltage changes due the variations in line voltage, beam current, and other parameters. The design center value of the heater voltage should be the Typical Design Value; however, in some applications it may be desirable to operate at a voltage slightly below this value. Cost considerations may suggest that the heater voltage be obtained from unregulated voltage varies with beam current, the circuit parameters should be selected so that the design center value of the heater voltage is equal to the Typical Design Value when the beam current is one-half of the Long Term Average Anode Current as shown in the tabulated data. The Absolute Maximum and Minimum Ratings should not be exceeded when including all variations.
4. The best tube performances are obtained under suggested operational condition.
5. A high source impedance in the focus circuit can result in a change in the focus voltage with a change in the grid No. 3 leakage current.
6. The design-center values are the values obtained when the tube is operated in an earth's magnetic field having a 380 mG vertical component and 240 mG horizontal component.
7. Typical values measured at a distance of 5 times picture height.
8. Measurements at 10 cm from the glass.

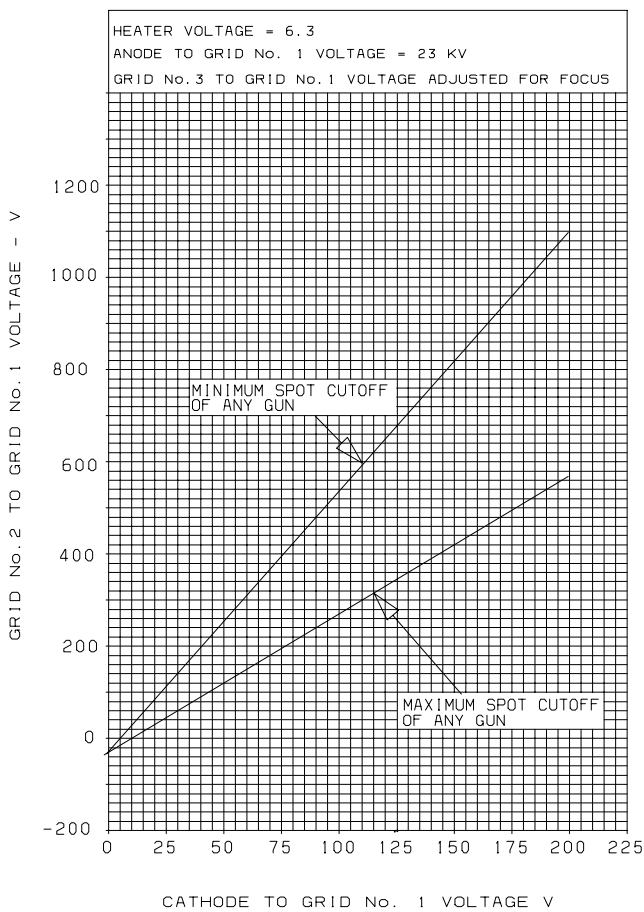


Fig. 4 Cutoff Design Chart

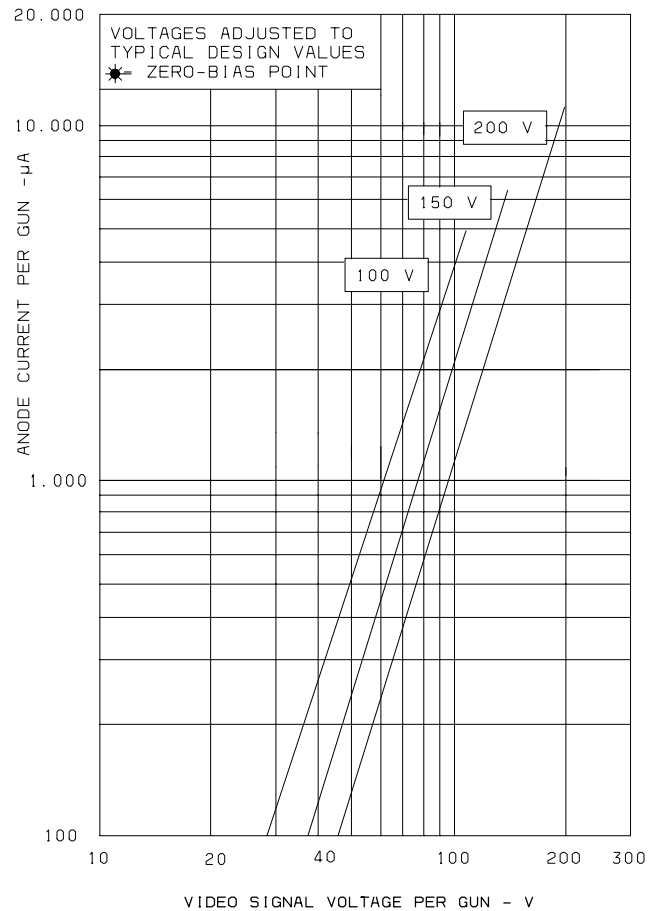


Fig. 5 Typical Drive Characteristics, Cathode - Drive Service

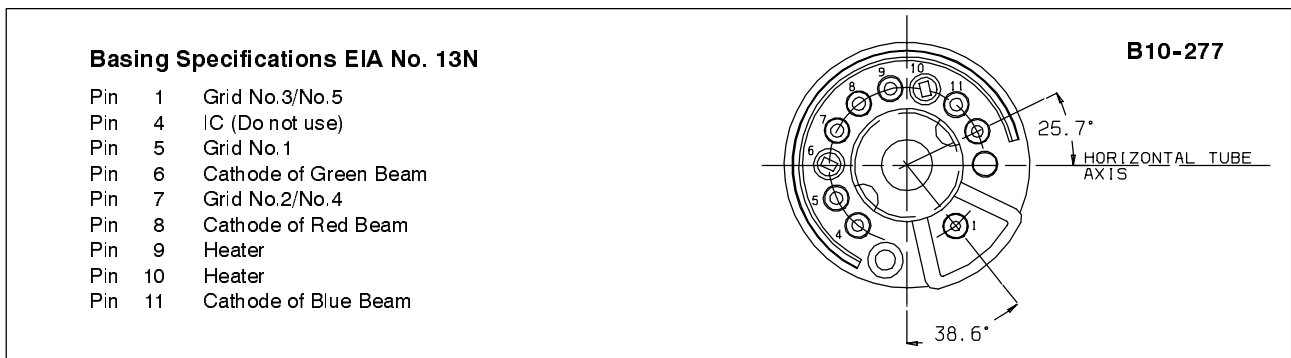
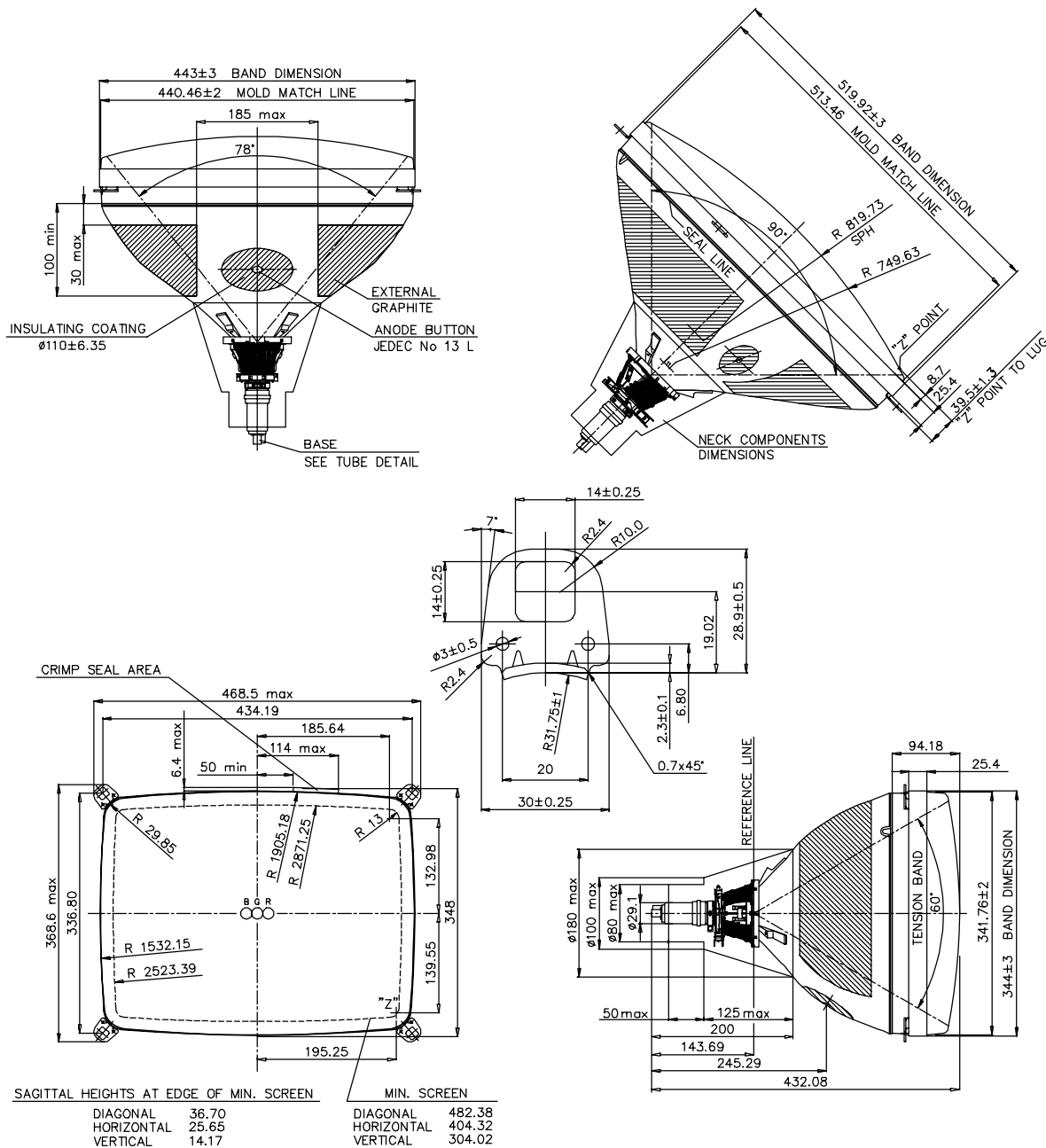


Fig. 6 Pin Connections and Rear View of Base



Notes For Dimensional Outline

- Note 1 - Socket for the base should not be rigidly mounted: it should have flexible leads and be allowed to move freely.
- Note 2 - The drawing shows the size and location of the contact area of the external conductive coating. The actual area of this coating will be greater than that of the contact area so as to provide the required capacitance. External conductive coating must be connected to chassis with multiple contacts.
- Note 3 - To clean the faceplate, wipe only with soft, dry, lintless cloth.

- Note 4 - The tolerance of the mounting lug holes will accommodate mounting screws up to 9.5 mm in diameter when the screws are positioned on the hole centers.
- Note 5 - One of four brackets may deviate 1.5 mm max. from the plane of the other three.
- Note 6 - To facilitate cabinet design full size drawings and mechanical sample tubes are available on request.

Convergence and purity

The yoke and other neck components are preassembled on the tube and factory preset for optimum performance.

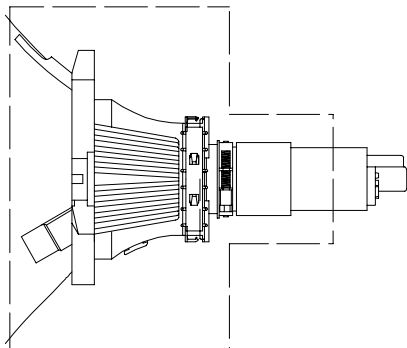
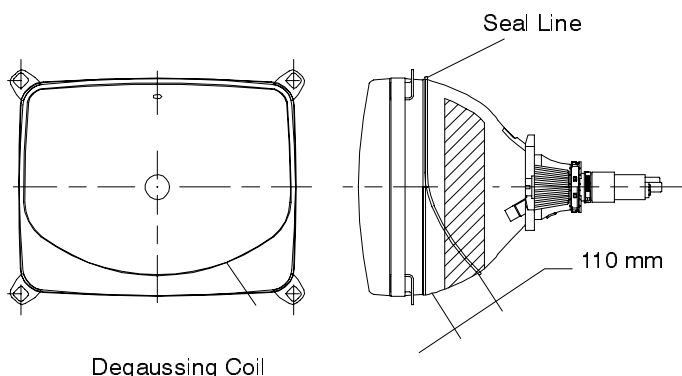


Fig. 7 Neck Component Detail

Degaussing Coils

The recommended degaussing system utilized a single coil placed on the tube as shown in Fig. 8 with the top edge on the panel in front of the seal line and the bottom edge on the funnel about 110 mm behind the seal line. Small holes are provided in the four mounting lugs to facilitate mounting the degaussing coil to the tube funnel.



Coil circumference = 1300 approx.

Fig. 8 Relative Placement of Typical Degaussing Coil

Degaussing Circuit

A recommended degaussing circuit as shown in Fig. 9 uses a conventional dual PTC device. For proper degaussing, a minimum value of 800 peak to peak ampere turns is required. It is essential that the degaussing current reduces in a gradual manner to a quiescent level not exceeding 1.0 peak to peak ampere turns. For optimum performance the degaussing coils should always be connected to a very low source impedance at the horizontal frequency. If the circuit used does not have an inherent low impedance at the horizontal frequency, the degaussing coils should be shunted with a suitable capacitor. If the addition of a short across the coils increases the horizontal frequency current in the degaussing coils by more 20%, the inherent source impedance offered by the PTC and associated circuitry is indicated to be too high to provide satisfactory performance. Therefore a capacitor should be added across the degaussing coil to satisfy this requirement.

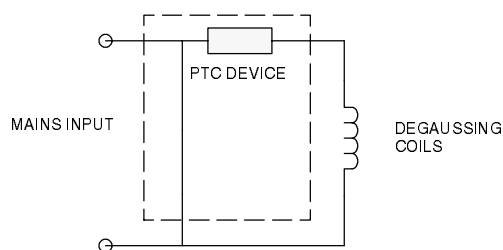


Fig. 9 Typical Degaussing Circuit

Degaussing Procedures

After installation of the picture tube into the receiver cabinet on the production line, the complete receiver should be externally degaussed by a minimum degaussing field of 20 gauss at center of the coil. During the external degaussing, the receiver should be in an "off" condition or in an "on" condition with the vertical scan removed and the mains input to the internal degaussing circuit disconnected. In this latter case, the internal degaussing circuit must be reconnected after the external degaussing process is completed. The external degaussing procedure should be followed by the receiver's internal degaussing in the normal manner.

High Voltage Discharge Protection

High internal resistance in the picture tube has significantly reduced the peak energy during a high-voltage discharge. In spite of these significant gains, high-voltage discharge is still capable of starting ionized paths both internal and external to the tube that can couple high-energy lower-voltage sources to the picture tube and associated circuit elements. These high-energy sources can cause varying degrees of picture tube and circuit damage. With any color picture tube, product reliability is obtained by the use of spark gaps with proper grounding, series isolation resistors, and good printed circuit board layouts. Spark gaps to ground shall be connected to all socket contacts. The ground points for the G3 focus electrode spark gap and the low-voltage spark gaps should be connected with a heavy non-inductive strap to a good grounding contact on the picture tube external coating. The focus electrode spark gap should be designed to breakdown at a minimum DC value of 1.5 times the maximum design voltage of G3 control.

The low-voltage spark gaps should be designed for a DC breakdown voltage of 1.5 kV to 3.0 kV. The high-voltage circuit chassis ground point should be connected to the low-voltage spark gap ground at the picture tube socket. It is not recommended that any other connections be made between the picture tube external coating and the grounds of the main chassis or the spark gaps. This will minimize circulating currents in the chassis during high-voltage discharge. Isolation resistors should be used in series with each grid and cathode lead. The resistance values should be as high as possible without degrading circuit performance (see Fig. 10). These resistors should be capable of withstanding an application of 12 kV for the low-voltage circuits and 20 kV for the focus circuit

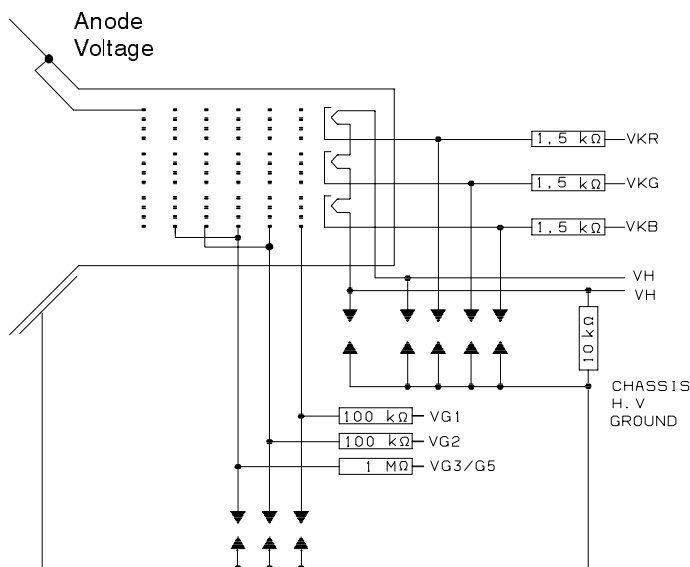


Fig. 10 Picture Tube Connections Showing Spark-Gaps Recommendations and Typical Isolation-Resistor Values

without arcing over, arcing through the body, or changing in resistance significantly during repeated applications of these voltages. Most half-watt carbon composition resistors are suitable for the low-voltage circuits and most 1-watt carbon composition resistors are suitable for the focus circuit. The use of these resistors reduces the possibility of circulating currents in the chassis and excessive current in the picture tube elements.

Spark gaps should be connected to both heater socket contacts. These spark gaps should have the same characteristics as the other low-voltage spark gaps. When the heater voltage is supplied from an isolated source, such as the horizontal deflection circuit or some other high-frequency pulse source, a capacitor may be required between one side of the heater and ground to eliminate undesirable interference on the picture tube screen. The capacitance value should be kept as small as possible. The resistance between the heater circuit and any power source should be a minimum of 10 kΩ.

WARNING

X - Radiation

These color picture tubes do not emit X-radiation above the dosage rate of 0.1 mR/h if it is operated within the Absolute Maximum Ratings.

Implosion Protection

These picture tubes employ integral implosion protection and must be replaced with tubes of the same type number or a recommended replacement to assure continued safety.

Shock Hazard

The high voltage at which the tubes are operated may be very dangerous. Design of the TV receiver should prevent the user from coming in contact with the high voltage. Extreme care should be taken in the servicing or adjustment of any high voltage circuit. Caution must be exercised during the replacement or servicing of the picture tube since a residual electrical charge may be contained on the high voltage capacitor formed by the external and internal conductive coatings of the picture tube funnel. To remove any undesirable residual high-voltage charge from the picture tube, "bleed-off" the charge by shorting the anode contact button, located in the funnel of the picture tube, to the external conductive coating before handling the tube. Discharging the high voltage to isolated metal parts such as cabinets and the control brackets may produce a shock hazard. Contact to the external conductive coating should be made by multiple fingers to prevent possible damage to the tube from localized overheating due to poor contact.

Mounting

Integral mounting lugs are provided to facilitate mounting the A48EAX33X01 in the receiver. If the integral mounting system is accessible in the receiver it is recommended that it be connected to the receiver chassis through one of the mounting lugs. If the chassis is not at earth potential the connection should be made through a current limiting resistor (1 MΩ).

The color receiver mounting system should incorporate sufficient cushioning so that under normal conditions of shipment or handling an impact force of more than 35 g is never applied to the picture tube.

Tube Handling

Picture tubes should be kept in the shipping box or similar protective container until just prior to installation. Wear heavy protective clothing, including gloves and safety goggles with side shields, in areas containing unpacked and unprotected tubes to prevent possible injury from flying glass in the event a tube breaks. Handle the picture tube with extreme care. Do not strike, scratch or subject the tube to more than moderate pressure. Particular care should be taken to prevent damage to the seal area. The picture tube assembly should never be handled by the neck, yoke or other components.

General

It is the sole responsibility of the manufacturer of television receivers and other equipment utilizing this color picture tube assembly to provide protective circuitry and design in the event of failure or this color picture tube assembly.

The equipment manufacturer should provide a warning label in an appropriate position on the equipment to advise the serviceman of all safety precautions.